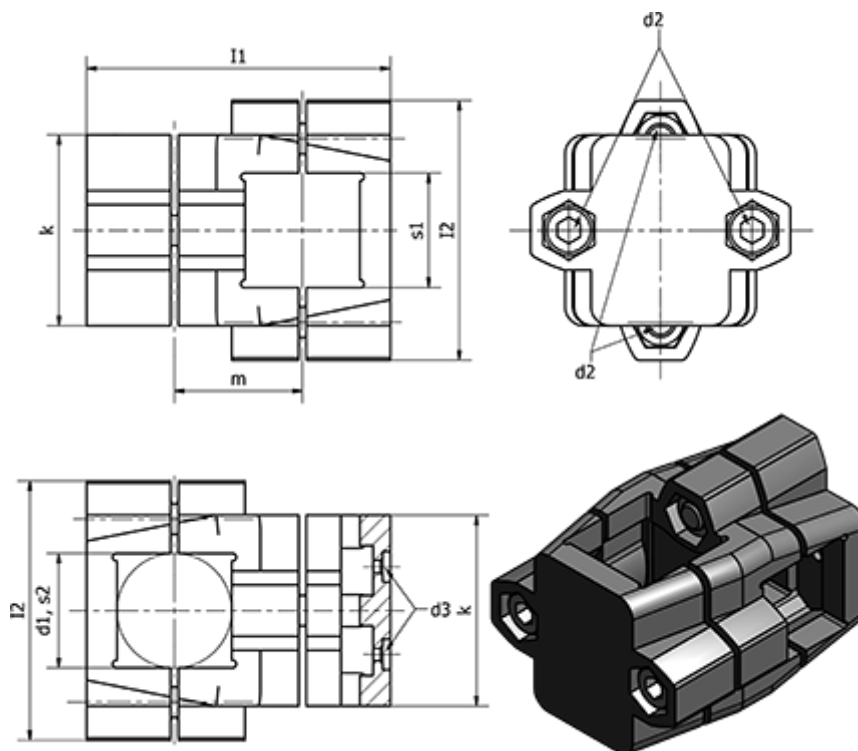


Article number: 201341V30B302SW

Description: E+G Tube connector - GN 134.1-V30-B30-2-SW

Measures



Clamping kit for d2 = -	m	= 33.5	
Clamping kit for d2 = GN 911-M8-32	s1	= V30	
d1	= B 30	s2	= -
d2	= M8	Weight (g)	= 300
d3	= M4		
l1	= 79.5		
l2	= 68		
k	= 50		